

UNLESS OTHERWISE SPECIFIED: DIMENSIONS ARE IN MILLIMETERS SURFACE FINISH: TOLERANCES: LINEAR: ANGULAR:		FINISH:		DEBUR AND BREAK SHARP EDGES		DO NOT SCALE DRAWING		REVISION 1.0	
	NAME	SIGNATURE	DATE			TITLE: DDCT-01 -- Petra'sTech Custom DDC pump top and impeller housing			
DRAWN									
CHK'D									
APPV'D									
MFG									
Q.A					MATERIAL: Black Delrin (POM)	DWG NO.		A4	
						DDCtop_exp1			
					WEIGHT:	SCALE:1:1		SHEET 1 OF 3	

1 2 3 4 5 6

A

B

C

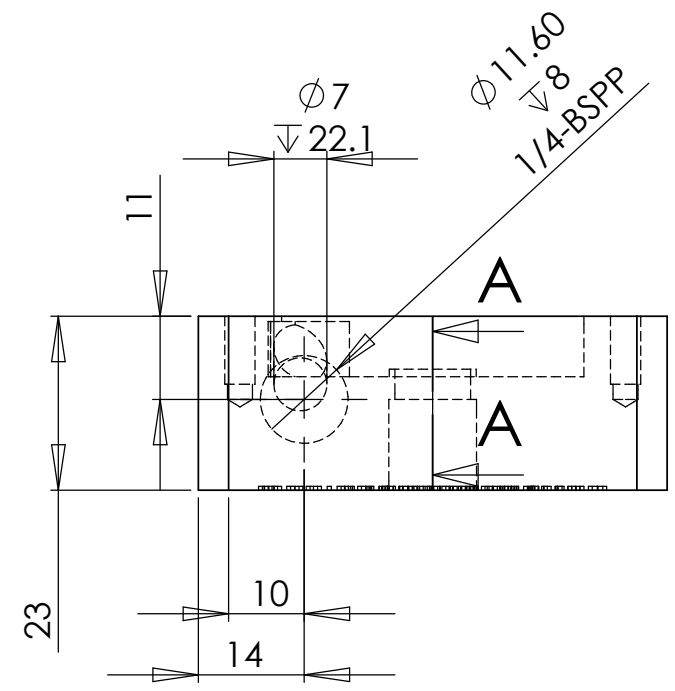
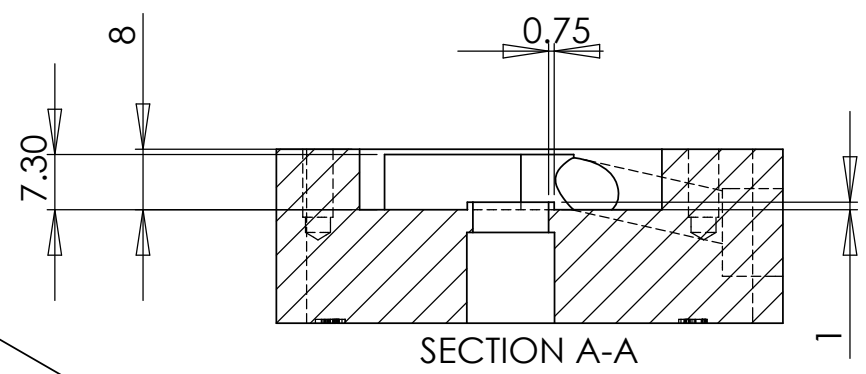
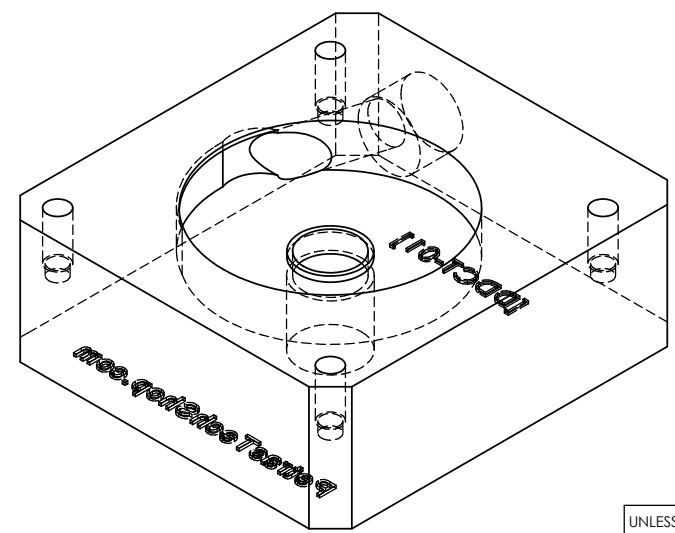
D

A

B

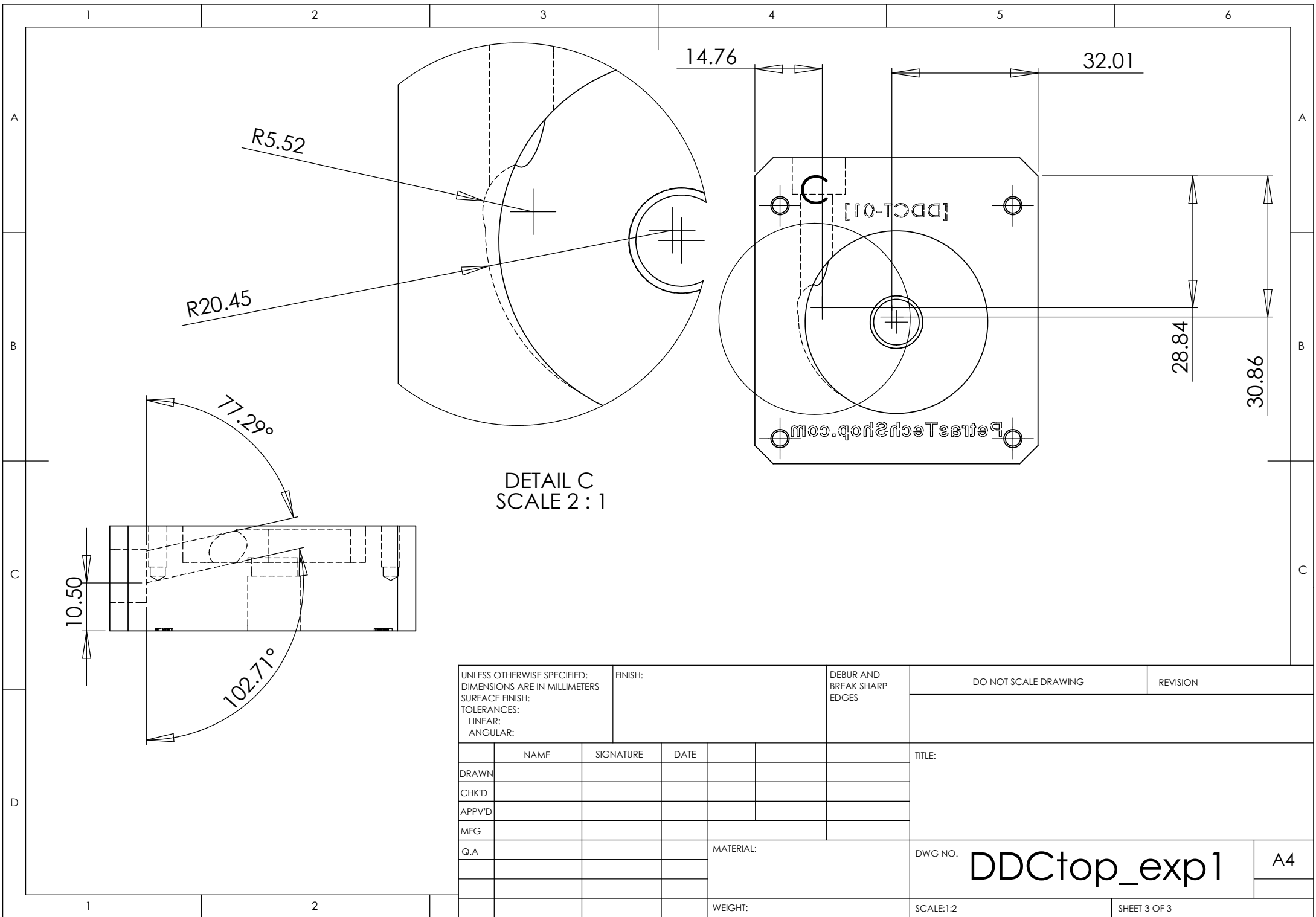
C

D



UNLESS OTHERWISE SPECIFIED: DIMENSIONS ARE IN MILLIMETERS SURFACE FINISH: TOLERANCES: LINEAR: ANGULAR:				FINISH:		DEBUR AND BREAK SHARP EDGES		DO NOT SCALE DRAWING		REVISION	
								TITLE:			
DRAWN				SIGNATURE		DATE		DWG NO. DDCtop_exp1			
CHK'D											
APPV'D											
MFG											
Q.A											
						MATERIAL:		A4			
						WEIGHT:		SCALE:1:1		SHEET 2 OF 3	

1 2 3 4 5 6



DETAIL C
SCALE 2 : 1

UNLESS OTHERWISE SPECIFIED: DIMENSIONS ARE IN MILLIMETERS SURFACE FINISH: TOLERANCES: LINEAR: ANGULAR:				FINISH:		DEBUR AND BREAK SHARP EDGES		DO NOT SCALE DRAWING		REVISION	
	NAME	SIGNATURE	DATE			TITLE:					
DRAWN											
CHK'D											
APPV'D											
MFG											
Q.A					MATERIAL:	DWG NO.		DDCtop_exp1			A4
					WEIGHT:	SCALE:1:2		SHEET 3 OF 3			